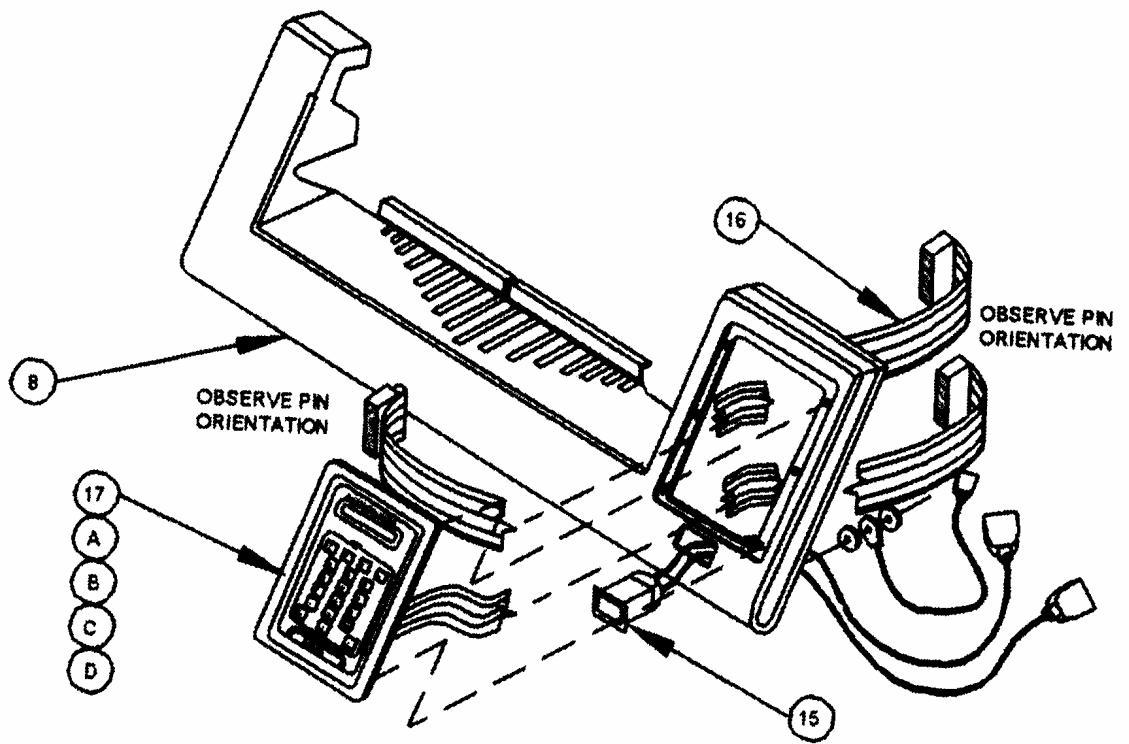
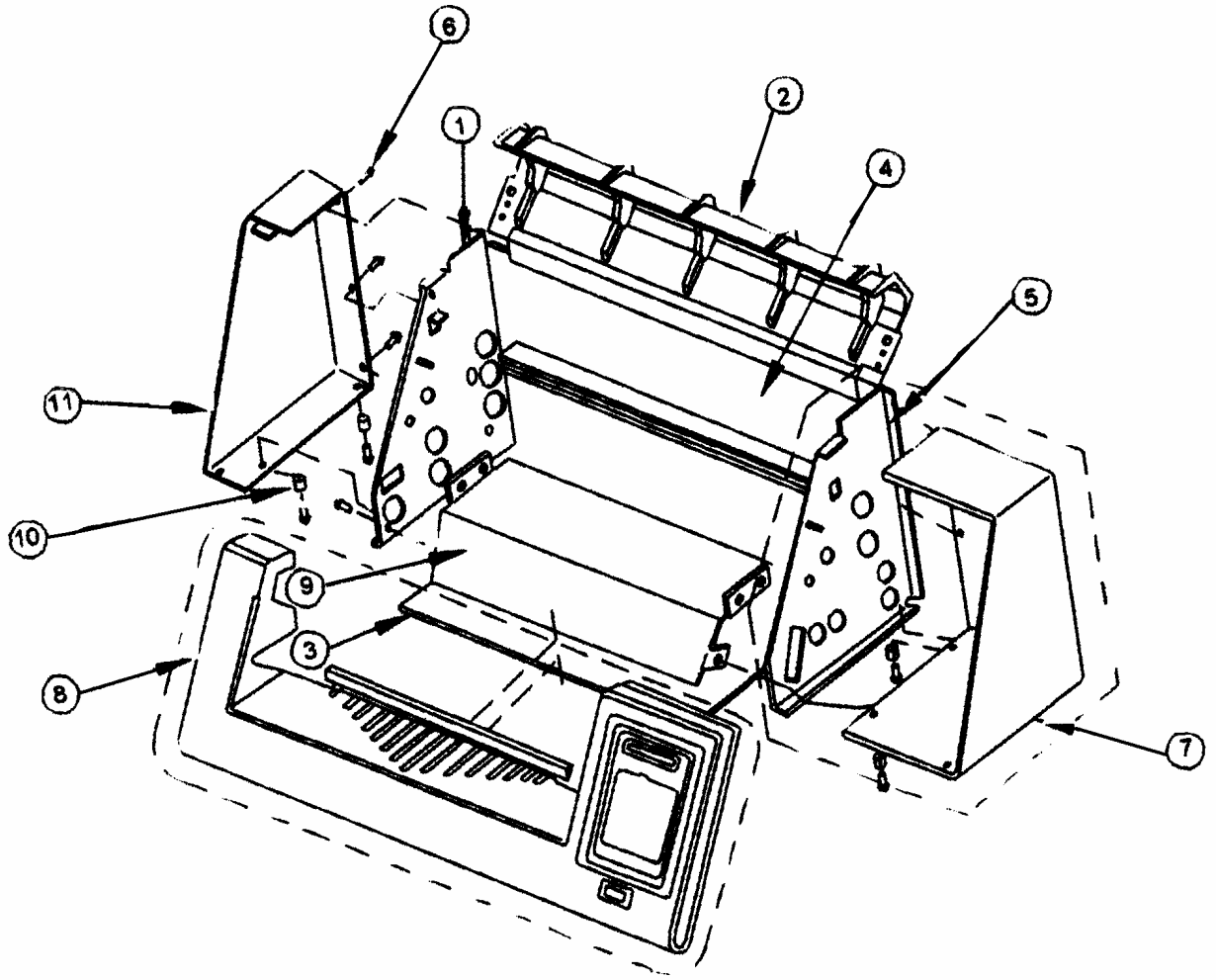


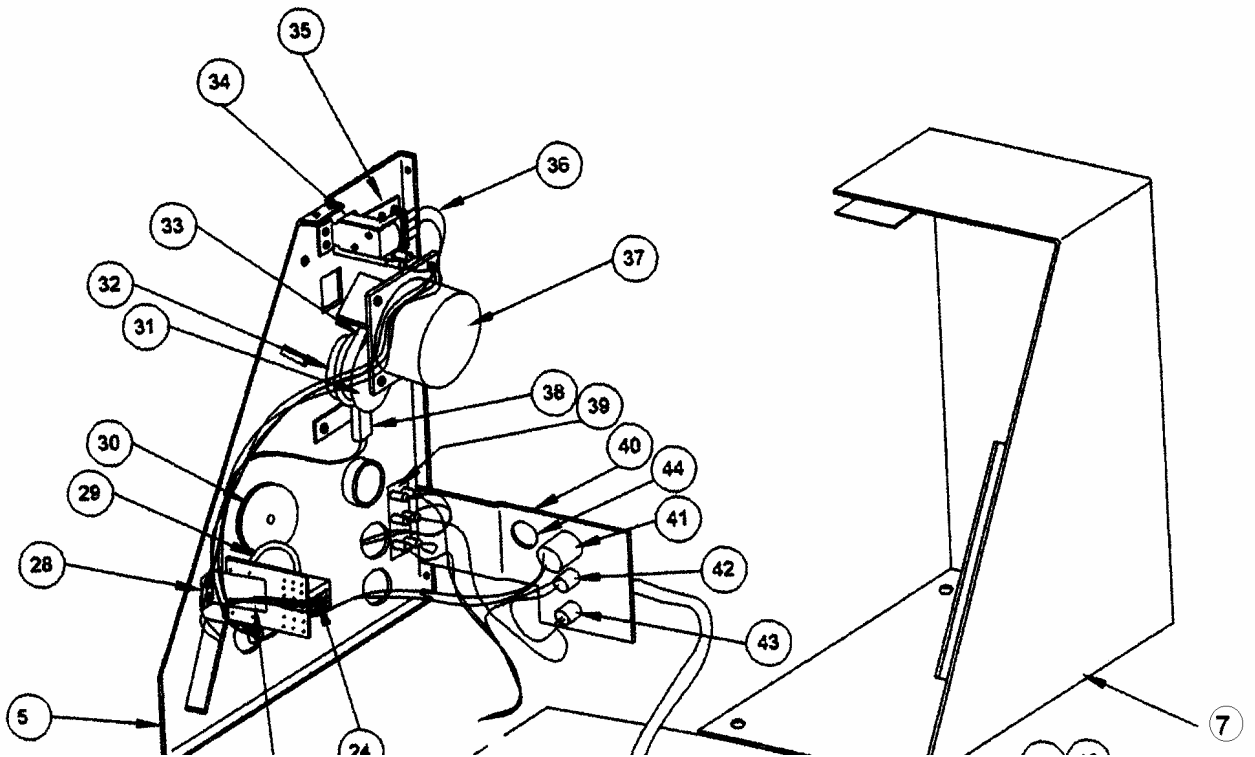
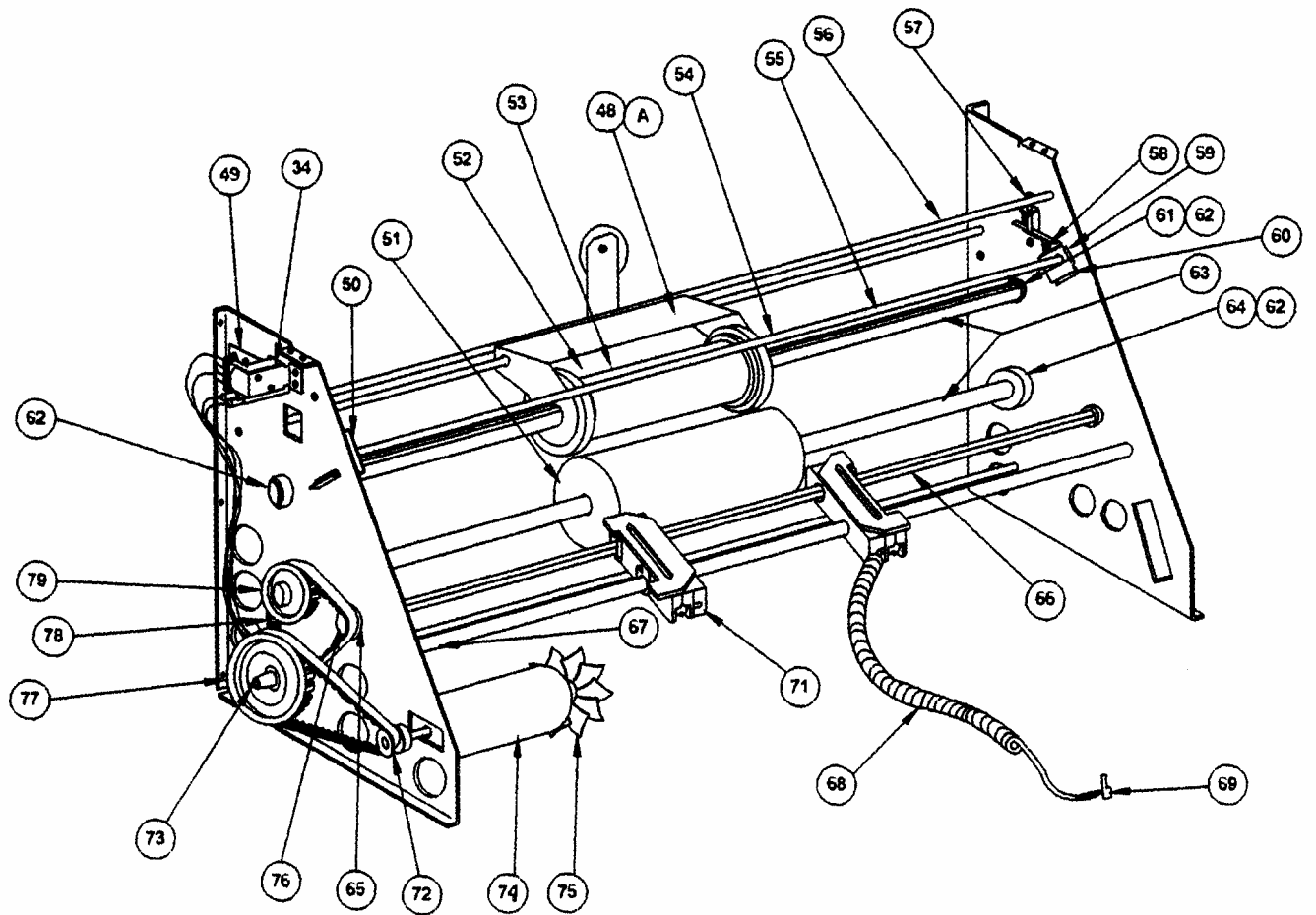


## 911 PARTS LIST

<u>REF.#</u>	<u>PART NUMBER</u>	<u>DESCRIPTION</u>	<u>QTY.</u>
1	W-O911045	Left Side Frame	1
2	W-A911102	Door & Hinge Assembly	1
3	W-O912099	Bottom Cover	1
5	W-O911046	Right Side Frame	1
6	M-S004066	#8 Tamper Proof Screw	13
7	W-O911053	Right Side Cover	1
8	M-O911048	Plastic Bezel	1
9	W-O911047	Base Channel	1
10	M-S030045	Rubber Feet	4
11	W-O911049	Left Side Cover	1
15	M-S033053	Power Switch	1
16	M-S040033	14 Position Ribbon Cable	1
17	W-A912101	Control Panel Assembly	1
17A	M-O911300	Keyboard Assembly 18" Cable	1
17B	M-O912056	Control Panel Overlay	1
17C	M-S045153	14 Pin LCD Header	1
17D	M-S045178	LCD	1
19	W-A911111	220/240V Power Cord Assembly	1
20	M-O911202	Main Logic PC Board	1
22	W-A911103	110/120V Power Cord Assembly	1
23	W-O912097	Encoder Bracket Plate	1
24	WRA911112	Encoder Board Cable	1
26	W-O912092	Encoder Bracket	1
27	W-I912095	Flag Sensor Bracket	1
28	M-O911100	Encoder PC Board	1
29	W-A911029	Encoder Assembly	1
29A	M-S008014	3/8 X 5/8 X .01 Spring Washer	1
29B	M-S010014	5/16" E- Ring	2
30	M-S022061	64T – 32P Gear	1
31	M-S022062	22T Pulley	1
32	W-A912103	Flag/Hub Assembly	1
33	M-S025031	60XLO37 Belt	1
34	W-A911044	Solenoid/ Bracket Assembly	2
34A	M-S045083	Solenoid 24 VDC	1
34B	M-O911098	Solenoid Plunger	1
34C	M-S031094	Solenoid Spring	1
34D	M-S008071	Nylon Washer	1
34E	W-O911044	Solenoid Bracket	1
35	WRA911113	R.H. Interlock Switch w/ Bracket	1



<u>REF.#</u>	<u>PART NUMBER</u>	<u>DESCRIPTION</u>	<u>QTY.</u>
35A	M-S033040	Microswitch	1
35B	W-O970034	Switch Bracket	1
36	WRA9111114	Solenoid Cable	1
37	W-A9111154	Stepper Motor Mount Assembly	1
38	W-A9111153	Optical Switch Assembly	1
39	M-S033039	Terminal Strip	1
40	W-O911050	Line Cord Plate	1
41	W-A9111152	Key Switch Assembly	1
42	M-S045065	Fuse Holder	1
42A	M-S045027	Fuse, 3AG, 2A, For 110V	1
42B	M-S045093	Fuse, 3AG, 1A, For 220V	1
43	M-S035019	Strain Relief, 5L-1	1
44	W-A9111151	Receptacle Assembly	1
48	W-A912091	Idle Disc Bracket Assembly	1
48A	M-S023050	Idle Disc Belt	2
49	W-O970034	L.H. Interlock Switch w/ Bracket	1
50	W-O911068	Left Ink Shaft Bracket	1
51	M-O008516	Platen (Back Up Roller)	1
51A	M-O911078	Drag Pin	1
51B	M-S031008	Compression Spring	1
51C	M-S002010	10-32 X ¼ Set Screw	1
52	W-A912098	Plate Holder Assembly	1
53	W-O912094	Ink Roller Bracket	1
54	WRA6381541F	3-Color Ink Roller Kit	1
55	W-O911067	Ink Roller Shaft	1
56	W-O911023	Tie Bar	2
57	M-S031016	Spring	2
58	M-O911070	Shoulder Screw	2
59	W-O911069	Ink Roller Shaft Spring	2
60	W-O911066	Right Ink Shaft Bracket	1
61	M-S010031	¾" E- Ring	2
62	M-S013039	¾" X 1 Fl. Bushing	4
63	W-O911026	Main Print Shaft	2
64	M-S019021	¾" Set Collar	2
65	M-S013016	¼" X ½" Flange Bushing	2
66	W-O911025	Tractor Drive Shaft	1
67	W-O911024	Tractor Guide Rail	1
68	W-A9111155	Tractor & Cord Assembly	1
71	M-S037054	Left Tractor Feed	1
72	M-S022129	15T 3MM Pulley	1
73	W-O500051	80 X 12 Pulley Idler	1
74	M-S021063	24 VDC Motor(Igarashi)	1



REF.#	PART NUMBER	DESCRIPTION	QTY
75	M-S037088	Fan Blade	1
76	M-S022103	22T 3MM Pulley	1
77	M-O911001	80/12 Dual Pulley	1
78	M-S025045	3 X 9 MM X 100T Belt	2
79	M-O501014	60T Pulley	1
82	W-A911105	110V Transformer Assembly	1
83	W-A911110	220V Transformer Assembly	1
84	W-I912093	Logic Board Bracket	2

### ACCESSORIES

M-S012003	3/32 Hex Wrench
MRS012014	Security Screw Socket, 1/4" Dr., Purchased Separately
M-S027481	Check Register
M-S026703	Shipping Carton
W-A911200	Left Shipping Foam
W-A911201	Right Shipping Foam
M-S027034	Instruction Manual
M-S045187	F1, F2, F3 Fuse (all units below s/n 12000)
M-S045218	1.5A Mini Fuse for F3 on Main Logic Board (s/n 12000 – 12104)
M-S045221	2.5A Fuse for F3 (s/n 12105 and above)*

- Used in conjunction with self resettable circuit breaker in F3 path for DC Motor.

